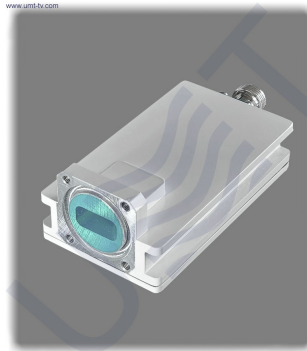


PLL LNB WITH AGC L.O. 10.55



New PLL LNB with AGC L.O. 10.55 is professional low noise block down converter with automatic gain control, wide dynamic range of up to 50 dB (biggest among any other LNB). AGC range of 25 dB, LO instability of 50 kHz, Gain (min) of 40 dB.

UMT presents new PLL LNB with AGC L.O. 10.55.

It is professional LNB which has the following advantages comparing with old one: wide dynamic range - up to 50 dB (biggest among any other LNB). AGC range: 25 dB, LO instability: 50 kHz, Gain (min): 40 dB.

PLL LNB with AGC L.O. 10.55 is professional low noise block down converter with automatic gain control designed for MVDS / MITRIS TV broadcasting systems (links and repeaters) application in which the signal stability is very important. In addition, PLL LNB with AGC has wide dynamic range (power at the input) which is the biggest among other LNBs.

LO: 10.55 GHz | **IN:** 11.5 - 12.3 GHz | **OUT:** 950 - 1750 MHz

New PLL LNB with AGC has the following advantages comparing with old one

- higher level stability
- higher frequency stability
- wider dynamic range - up to 50 dB (biggest among any other LNB)
- less weight and dimensions
- less price

Output frequency range: 950 - 1750 MHz

KEY FEATURES:

- Wide dynamic range (power at the input) - up to 50 dB (biggest among any other LNB)
- AGC range: 25 dB
- Waveguide: WR75
- Flange: PBR120
- 75 Ohm F-type or 50 Ohm N-type output connector

Input parameters:	
Input Frequency range	11.5 - 12.3
Input level range	- 65 ... -15 dBm
Input VSWR, max	1.8
Input interface	Waveguide WR75, Flange UBR120

Local Oscillator:	
LO frequency	10.55
LO Phase noise:	
@1 kHz	-77 dBc/Hz
@10 kHz	-87 dBc/Hz
@100 kHz	-97 dBc/Hz
LO instability	± 100 kHz (or by order)
Output parameters:	
Output frequency range	950 - 1750 MHz
Output Power @P1dB	0 dBm
Gain, min	40 dB
Output interface	N/F-type female (by order)
Output impedance	50/75 Ohm
Output VSWR, max	1.8 : 1
Frequency Response:	
Flatness over Full Band	3 dB
Flatness over 27MHz Band	0.5 dB
Spurious:	
Noise figure given to the input, no more	5.0 dB
LO leakage, max	-50 dBm
Image rejection, min	60 dBc
Power Supply:	
Input voltage	15 VDC - 30 VDC, nominal 18 VDC
Power consumption, max	5 W
Environmental:	
Operating temperature	-40°C to +60°C (-40°F to +140°F)
Storage temperature	-40°C to +80°C (-40°F to +176°F)
Operating humidity	0% - 95%
Mechanical	
Dimensions (W x H x D)	55x38x116 mm
Weight	0.25 kg

Taking into consideration that we (UMT LLC) are developer and system integrator, also do not stop on our technical growth and improvement, know that view of all our devices and equipment including their technical parameters may be different from pictures presented on website and parameters listed on each device webpage.

Note! All details customer has to confirm in advance during ordering and before payment. Those parameters that were not specified and / or were not agreed while ordering will be implemented as basic at the discretion of the manufacturer. Each our customer has 1.5 year warranty and 7 year aftersales support for whole range of our products.